

BERING X-Cold

ø100 & 133 tube light for very low temperature industrial environments



BERING X-Cold

ø100 & 133 tube light for very low temperature industrial environments



Since an efficient seal and temperature variations rarely make good bedfellows, Sammode has designed the BERING, dedicated to deep-freeze tunnels and cold rooms at temperatures down to -40°C . Its casing, equipped with reinforced silicone seals, locked in place by axial clamping, remains perfectly hermetic even in the case of extreme temperature changes or high-pressure cleaning. Its quick-disconnect connector, insensitive to frost and to thermal shocks, prevents any penetration of humidity thanks to a base with resin contacts.



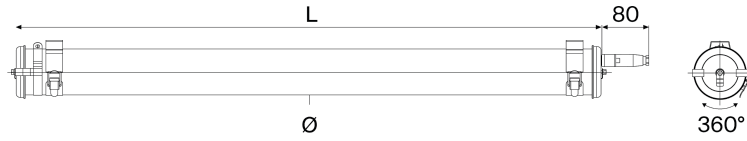


BERING X-Cold

ø100 & 133 tube light for very low temperature industrial environments



Sammode



Disconnectable quick-lock plug version

CRI80, 4000K



Ø (mm)	Flux (lm)	L (mm)	Designation	Code	Watt
100	1850	697	BER100 12H840 POME PS3 SA BRS	15605021	16
	2775	1007	BER100 13H840 POME PS3 SA BRS	15605022	22
	3700	1307	BER100 14H840 POME PS3 SA BRS	15605025	29
	4625	1607	BER100 15H840 POME PS3 SA BRS	15605026	35
	5550	1850	BER100 16H840 POME PS3 SA BRS	15605029	40
133	5550	987	BER133 23H840 POME PS3 SA BRS	16605015	43
	7400	1287	BER133 24H840 POME PS3 SA BRS	16605018	56
	9250	1587	BER133 25H840 POME PS3 SA BRS	16605019	71
	11100	1850	BER133 26H840 POME PS3 SA BRS	16605022	85

Models fitted with reinforced electronics for repeated switching on and off at very low temperatures, and specific silicone seals for impermeability even across a wide temperature range.

Options

Cable entry	Fixing straps	Color temperature
		3000K 830 4000K 840 5000K 850
Cable gland	Materials	Lighting management
Polyamide capacity Ø5-12mm 113	Reinforced fixing straps	BRS Electronic gear unit for DALI dimming RD
Polyamide capacity Ø7-14mm 116	Reinforced fixing straps with HSHC screw	BRV Switch-off warning function (for sensor/timer) RC
Nickel-coated brass capacity Ø5-14 mm 113LN		Built-in presence sensor (length increased by 85mm) SI
Disconnectable plugs	End caps & fixing straps 304L stainless steel -	
IP68/69K quick-lock plug with threaded ring (capacity: Ø8 to 10 mm) PS3	End caps & fixing straps 316L stainless steel MR	

Accessories

To be ordered separately

IP68 4-outlet junction box (capacity Ø7-14mm)	CP00674 Kits for APSAD compliance 2 x 20 cm 304L stainless steel extensions PU44277 2 x 5 cm 304L stainless steel extensions PU44278 Also available in 316L : consult us	1m HO7-RNF pre-wired cable 3G1,5 ² Stripped free end CAB0080 Wieland® plug IP68/IP69K CAB0095 (capacity : Ø10-14mm) Wieland® plug and Y splitter for loop-in/out CAB0145 Other lengths: consult us



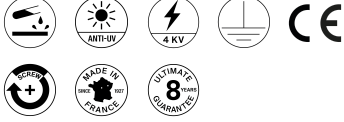
BERING X-Cold

ø100 & 133 tube light for very low temperature industrial environments

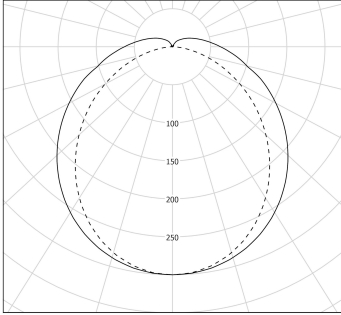


Sammode

Specification

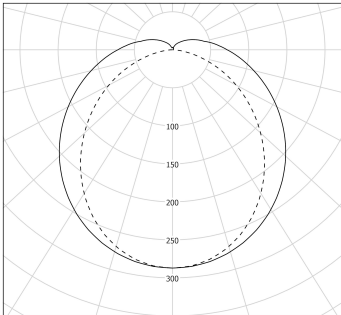


Photometry



cd/klm — C0 - C180 - - - C90 - C270 η = 100%

Diameter 100



cd/klm — C0 - C180 - - - C90 - C270 η = 100%

Diameter 133

Technical characteristics

Light source	High-efficiency removable LED module (CRI>80, 3 SDCM) 70 000 h L80/B10 even at min. operating temperature Photobiological hazard : None (RG0)
Optics	Special satin-finish housing for LED Light mixing chamber
Lighting comfort	UGR ≤ 25
Heat management	Aluminium heat sink
Control gear	High reliability constant current output driver, mechanically and thermally reinforced. Resistance to overload: 320 V AC, 48 h Supports voltage spikes < 4 kV Electronic compatible with central source
Supply voltage	220-240V ±10% 0/50/60Hz
Electrical class	Class I
Operating temperature	-40°C to +35°C

Easy installation and maintenance

Connection	With disconnectable plug Ø 8 to 10 mm cable (3 × 1,5 mm ²)
Mounting	Attachment with 2 bolt-fitted stainless steel straps with variable center distance and 360° orientation
LED engine maintenance	Easily removable LED modules and driver Opening by releasing the 2 closing screws, removing the end cap and extracting the gear tray

Materials

Housing	Special polycarbonate housing protected from UV, solvents, hydrocarbons and cleaning agents by a coextrusion of PMMA
End caps and fixing straps	304L stainless steel
Gaskets	Silicone
Method of construction	Housing in one piece with high mechanical and chemical resistance Long-lasting imperviousness by axial screw fitting

Standards

Waterproofness	IP66, IP68, IP69K
Resistance to IK shocks	IK10
Fire resistance	650°C
Vibration resistance	Meets the severe application requirements of standard EN 60598-1 (tested according to IEC 60068-2-6)